

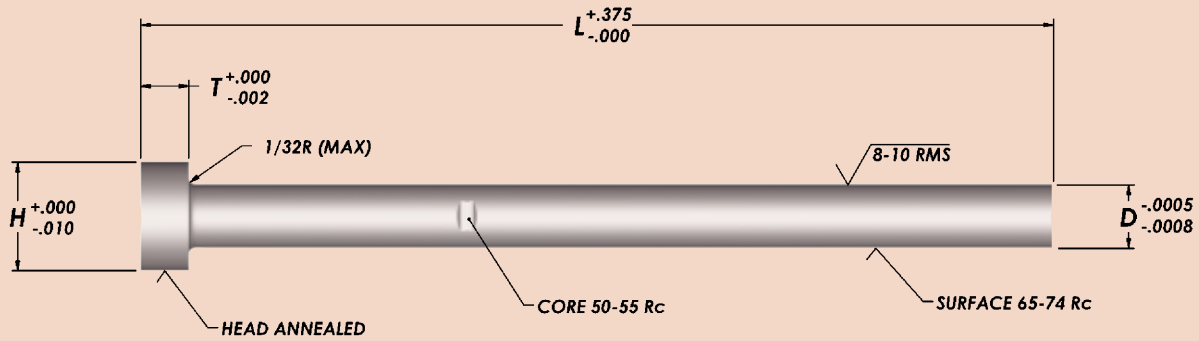


Ejector Pins

Through Hard - Parallel Inch

Material • AISI: H13

• 1.2344



D	Cat. No.	L					H	T	
		6"		10"		14"			
		STD.	STD.	+ .005	STD.	+ .005			
3/64	RHX-03	L06					1/4	1/8	
1/16	RHX-05	L06	L10	L105			1/4	1/8	
5/64	RHX-06	L06	L10	L105			1/4	1/8	
3/32	RHX-07	L06	L10	L105			1/4	1/8	
7/64	RHX-08	L06	L10	L105			1/4	1/8	
1/8	RHX-09	L06	L10	L105	L14	L145	1/4	1/8	
9/64	RHX-10	L06	L10	L105	L14		1/4	1/8	
5/32	RHX-11	L06	L10	L105	L14	L145	9/32	5/32	
11/64	RHX-12	L06	L10	L105	L14		11/32	3/16	
3/16	RHX-13	L06	L10	L105	L14	L145	3/8	3/16	
13/64	RHX-14	L06	L10		L14		3/8	3/16	
7/32	RHX-15	L06	L10	L105	L14		13/32	3/16	
15/64	RHX-16	L06	L10		L14		13/32	3/16	
1/4	RHX-17	L06	L10	L105	L14	L145	7/16	3/16	
17/64	RHX-18	L06	L10		L14		7/16	1/4	
9/32	RHX-19	L06	L10	L105	L14		7/16	1/4	
19/64	RHX-20	L06	L10		L14		1/2	1/4	
5/16	RHX-21	L06	L10	L105	L14	L145	1/2	1/4	
21/64	RHX-22	L06	L10		L14		9/16	1/4	
11/32	RHX-23	L06	L10	L105	L14		9/16	1/4	
23/64	RHX-24	L06	L10		L14		5/8	1/4	
3/8	RHX-25	L06	L10	L105	L14	L145	5/8	1/4	
25/64	RHX-26	L06	L10				37/64	1/4	
13/32	RHX-27	L06	L10	L105	L14		11/16	1/4	
27/64	RHX-28	L06	L10				11/16	1/4	
7/16	RHX-29	L06	L10	L105	L14	L145	11/16	1/4	
29/64	RHX-30	L06	L10				45/64	1/4	
15/32	RHX-31	L06	L10	L105	L14		3/4	1/4	
31/64	RHX-32	L06	L10				3/4	1/4	
1/2	RHX-33	L06	L10	L105	L14	L145	3/4	1/4	

• To order, add overall length "L" to Catalog Number. Example: RHX-03L06