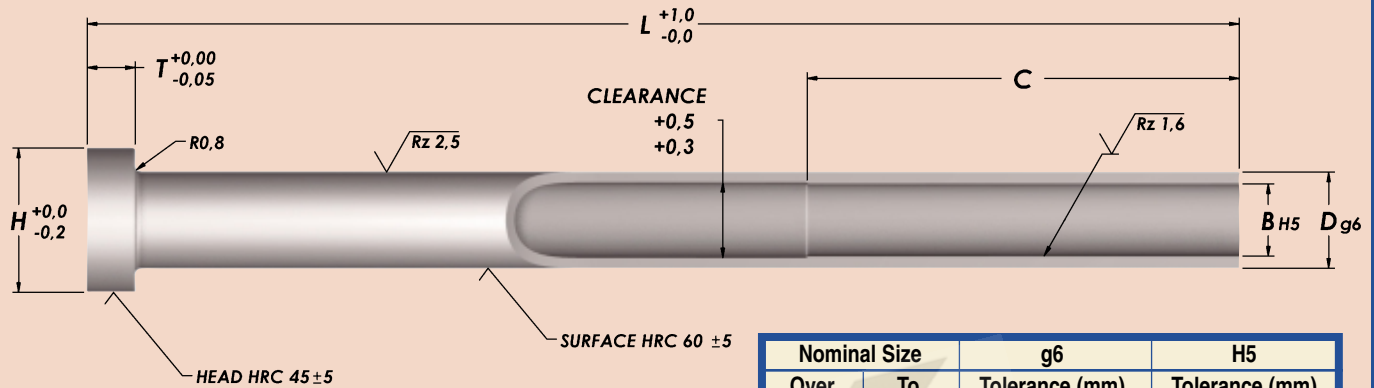




# Ejector Sleeves

## Through Hard - Parallel Metric

Material • AISI 01  
• 1.2516



Nominal Size		g6		H5	
Over	To	Tolerance (mm)		Tolerance (mm)	
0mm	3mm	-.002	-.008	+.004	0
3mm	6mm	-.004	-.012	+.005	0
6mm	10mm	-.005	-.014	+.006	0
10mm	18mm	-.006	-.017	+.008	0
18mm	30mm	-.007	-.020	+.009	0

D O.D.	B I.D.	Catalog Number	L								C	H	T	
			75	100	125	150	175	200	225	250				275
3,0	1,5	SH-03,0x01,5	075	100	125	150	175					35	6,0	3,0
	1,6	SH-03,0x01,6	075	100	125	150	175							
4,0	2,0	SH-04,0x02,0	075	100	125	150	175	200	225			35	8,0	3,0
	2,2	SH-04,0x02,2	075	100	125	150	175	200	225					
	2,5	SH-04,0x02,5	075	100	125	150	175	200	225					
5,0	2,5	SH-05,0x02,5	075	100	125	150	175	200	225	250		35	10,0	3,0
	2,7	SH-05,0x02,7	075	100	125	150	175	200	225	250				
	3,0	SH-05,0x03,0	075	100	125	150	175	200	225	250	275			
	3,2	SH-05,0x03,2	075	100	125	150	175	200	225	250	275			
6,0	3,0	SH-06,0x03,0	075	100	125	150	175	200	225	250	275	45	12,0	5,0
	3,5	SH-06,0x03,5	075	100	125	150	175	200	225	250	275			
	4,0	SH-06,0x04,0	075	100	125	150	175	200	225	250	275			
	4,5	SH-06,0x04,5	075	100	125	150	175	200	225	250	275			
8,0	4,2	SH-08,0x04,2	075	100	125	150	175	200	225	250	275	45	14,0	5,0
	5,0	SH-08,0x05,0	075	100	125	150	175	200	225	250	275			
	5,2	SH-08,0x05,2	075	100	125	150	175	200	225	250	275			
10,0	6,0	SH-10,0x06,0	075	100	125	150	175	200	225	250	275	45	16,0	5,0
	6,2	SH-10,0x06,2	075	100	125	150	175	200	225	250	275			
12,0	8,0	SH-12,0x08,0	075	100	125	150	175	200	225	250	275	45	20,0	7,0
	8,2	SH-12,0x08,2	075	100	125	150	175	200	225	250	275			
14,0	10,0	SH-14,0x10,0	075	100	125	150	175	200	225	250	275	45	22,0	7,0
16,0	12,0	SH-16,0x12,0	075	100	125	150	175	200	225	250	275	45	22,0	7,0
20,0	14,0	SH-20,0x14,0		100		150		200		250		45	26,0	8,0

- To order, add overall length "L" to Catalog Number. Example: SH-03,0x02,0L075
- Sizes marked in blue print are available but generally not stocked.
- Call for price and delivery. Example: SH-03,0x01,5L075