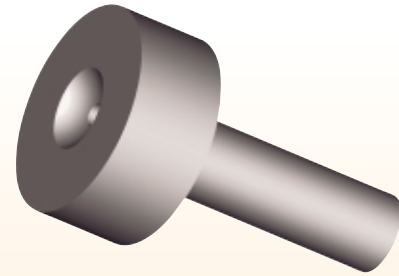
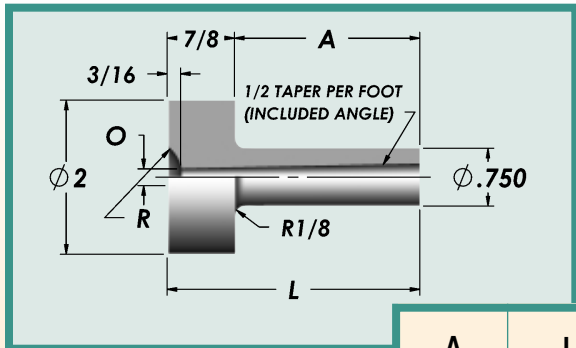


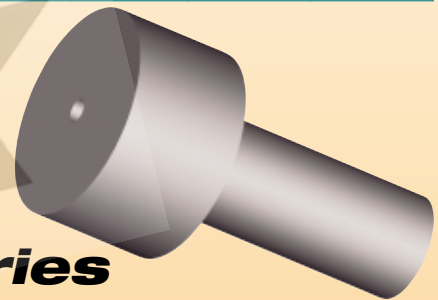
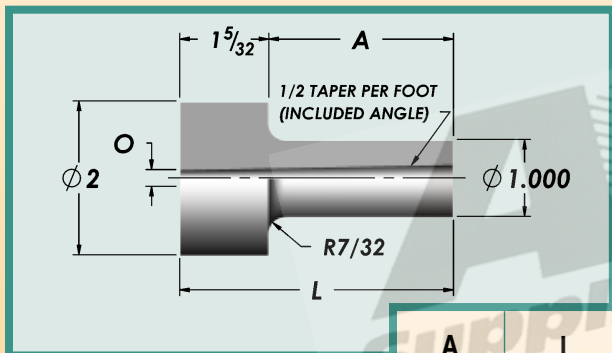


# Sprue Bushings



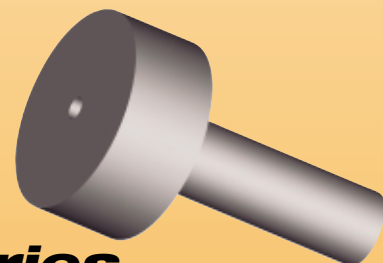
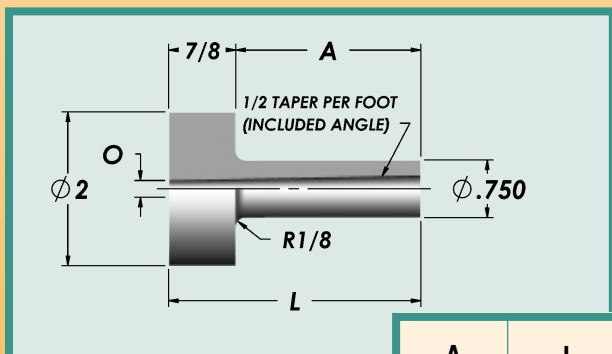
## U-Series

A	L	O=5/32		O=7/32		O=9/32	
		R=1/2	R=3/4	R=1/2	R=3/4	R=1/2	R=3/4
29/32	1-25/32	U157512	U157534	U157712	U157734	U157912	U157934
1-13/32	2-9/32	U241512	U241534	U241712	U241734	U241912	U241934
1-29/32	2-25/32	U257512	U257534	U257712	U257734	U257912	U257934
2-13/32	3-9/32	U341512	U341534	U341712	U341734	U341912	U341934
2-29/32	3-25/32	U357512	U357534	U357712	U357734	U357912	U357934



## LN-Series

A	L	O=5/32	O=7/32	O=9/32
29/32	2-1/16	LN217532	LN217732	LN217932
1-13/32	2-9/16	LN225532	LN225732	LN225932
1-29/32	3-1/16	LN317532	LN317732	LN317932
2-13/32	3-9/16	LN325532	LN325732	LN325932
2-29/32	4-1/16	LN417532	LN417732	LN417932
3-13/32	4-9/16	LN425532	LN425732	LN425932



## UR-Series

A	L	O=5/32	O=7/32	O=9/32
29/32	1-25/32	UR157532	UR157732	UR157932
1-13/32	2-9/32	UR241532	UR241732	UR241932
1-29/32	2-25/32	UR257532	UR257732	UR257932
2-13/32	3-9/32	UR341532	UR341732	UR341932
2-29/32	3-25/32	UR357532	UR357732	UR357932