

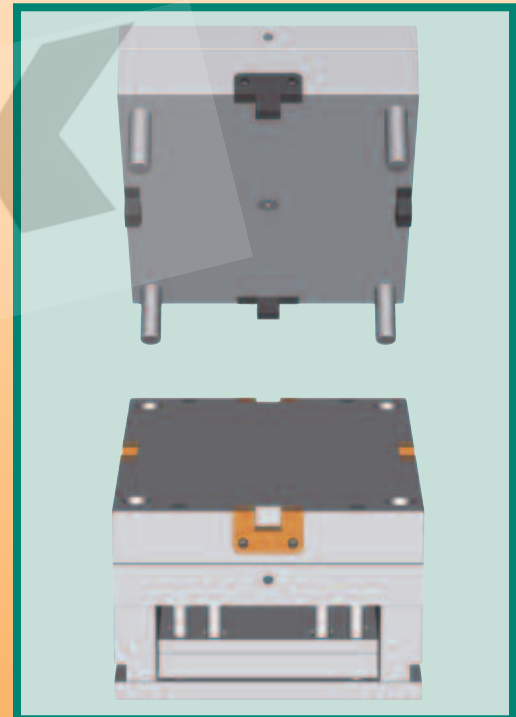
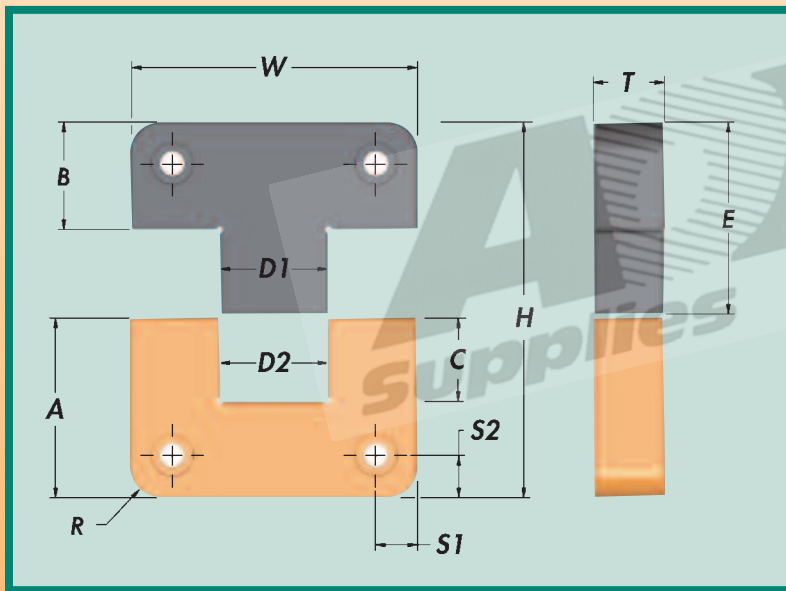
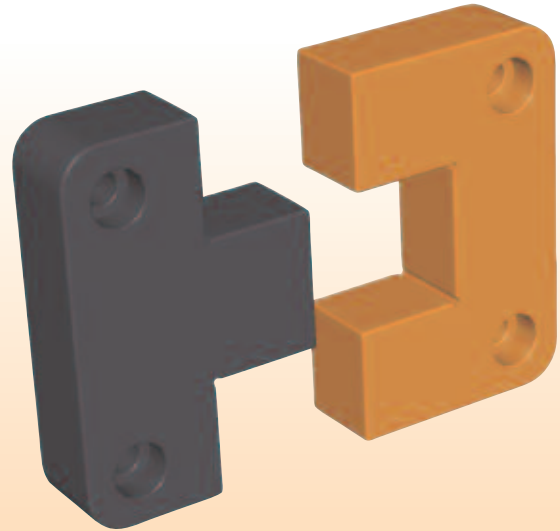


## E Side Locks (Treated)

Male half: YK 30 (58 ±2 Hrc)  
Black Oxide Finish

Female half: A2 Core 58-60 Surface (80 ±2 Hrc)  
Titanium Nitride Coated

- Supplied with socket head cap screws.
- Sold in sets.



Catalog Number	W +0.000 -0.004	T +0.000 -0.002	A +0.000 -0.002	B +0.000 +0.002	C	D1 +0.000 -0.0002	D2 +0.0002 -0.0000	H +0.002 -0.004	R	S1/S2 +0.01 -0.01	SHCS
ESLT-100	1.000	0.375	1.125	0.875	0.530	0.500	0.500	2.000	0.187	0.250	10-32x 1/2
ESLT-125	1.250	0.490	1.125	0.875	0.660	0.500	0.500	2.000	0.187	0.250	8/32 x 5/8
ESLT-150	1.500	0.500	0.875	0.875	0.560	0.563	0.563	1.750	0.187	0.250	8/32 x 5/8
ESLT-200	2.000	0.500	1.375	0.875	0.660	0.750	0.750	2.250	0.312	0.312	10-32 x 1/2
ESLT-300	3.000	0.750	1.875	1.375	1.130	1.250	1.250	2.750	0.375	0.375	1/4-20 x 3/4
ESLT-400	4.000	1.000	2.375	1.375	1.250	1.500	1.500	3.750	0.500	0.500	3/8-16 x 1
ESLT-500	5.000	1.250	2.875	1.375	1.630	2.000	2.000	4.250	0.625	0.625	1/2-13 x 1-1/4
ESLT-600	6.000	1.500	2.875	1.375	1.750	2.500	2.500	4.250	0.625	0.625	1/2-13 x 1-1/2