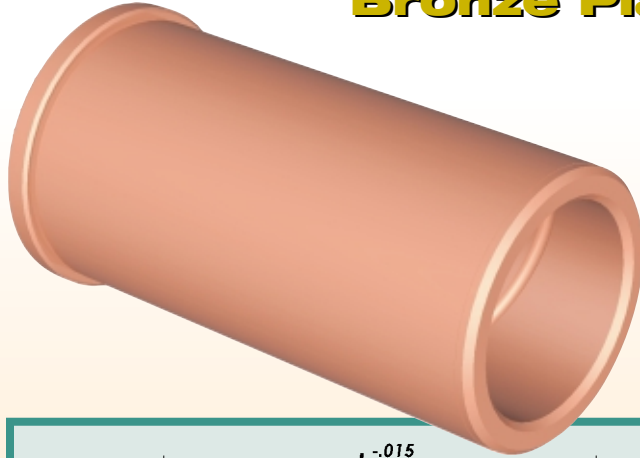


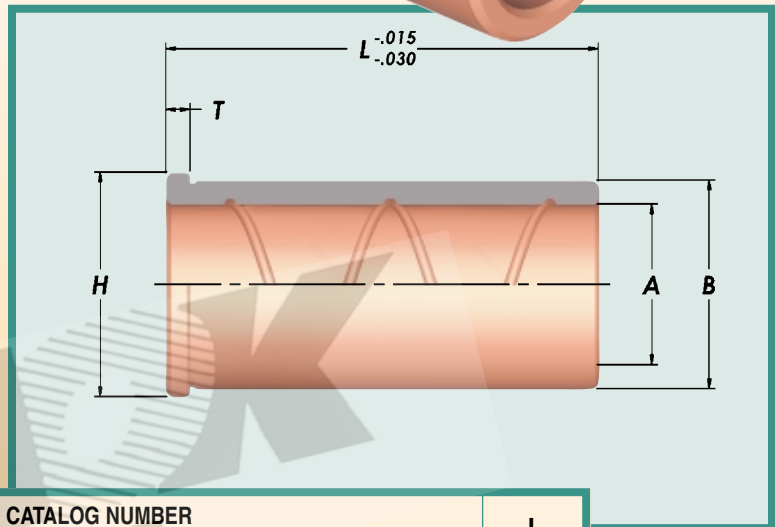


# Shoulder Bushings

## Bronze Plated



General Dimensions and Tolerances				
Nominal I.D.	A +.0005 -.0000	B +.0005 -.0000	H +.000 -.015	T +.000 -.005
3/4	.7505	1.1255	1.302	3/16
7/8	.8755	1.2505	1.427	3/16
1"	1.0005	1.3755	1.552	3/16
1-1/4	1.2505	1.6255	1.802	3/16
1-1/2	1.5005	2.0005	2.177	3/16
2"	2.0005	2.5005	2.677	3/16
2-1/2	2.5005	3.2505	3.427	3/16
3"	3.0005	3.7505	3.990	1/2



L	CATALOG NUMBER				L
	A=3/4"	A=7/8"	A=1"	A=1-1/4"	
7/8	LBB-06-07	LBB-07-07	LBB-08-07	LBB-10-07	7/8
1-3/8	LBB-06-13	LBB-07-13	LBB-08-13	LBB-10-13	1-3/8
1-7/8	LBB-06-17	LBB-07-17	LBB-08-17	LBB-10-17	1-7/8
2-3/8	LBB-06-23	LBB-07-23	LBB-08-23	LBB-10-23	2-3/8
2-7/8	LBB-06-27	LBB-07-27	LBB-08-27	LBB-10-27	2-7/8
3-3/8	LBB-06-33	LBB-07-33	LBB-08-33	LBB-10-33	3-3/8
3-7/8	LBB-06-37	LBB-07-37	LBB-08-37	LBB-10-37	3-7/8
4-3/8	LBB-06-43	LBB-07-43	LBB-08-43	LBB-10-43	4-3/8
4-7/8	LBB-06-47	LBB-07-47	LBB-08-47	LBB-10-47	4-7/8
5-7/8	LBB-06-57	LBB-07-57	LBB-08-57	LBB-10-57	5-7/8
7-7/8					7-7/8

L	CATALOG NUMBER				L
	A=1-1/2"	A=2"	A=2-1/2"	A=3"	
7/8	LBB-12-07				7/8
1-3/8	LBB-12-13	LBB-16-13	LBB-20-13		1-3/8
1-7/8	LBB-12-17	LBB-16-17	LBB-20-17		1-7/8
2-3/8	LBB-12-23	LBB-16-23	LBB-20-23		2-3/8
2-7/8	LBB-12-27	LBB-16-27	LBB-20-27		2-7/8
3-3/8	LBB-12-33	LBB-16-33	LBB-20-33		3-3/8
3-7/8	LBB-12-37	LBB-16-37	LBB-20-37	LBB-24-37	3-7/8
4-3/8	LBB-12-43	LBB-16-43	LBB-20-43		4-3/8
4-7/8	LBB-12-47	LBB-16-47	LBB-20-47	LBB-24-47	4-7/8
5-7/8	LBB-12-57	LBB-16-57	LBB-20-57	LBB-24-57	5-7/8
7-7/8				LBB-24-77	7-7/8