

# IPS Custom Tapered Skirt Order Form

Use Data Sheet for Non-Standard Tapered Mold Skirts Only

A - \_\_\_\_\_

B - \_\_\_\_\_

C - \_\_\_\_\_

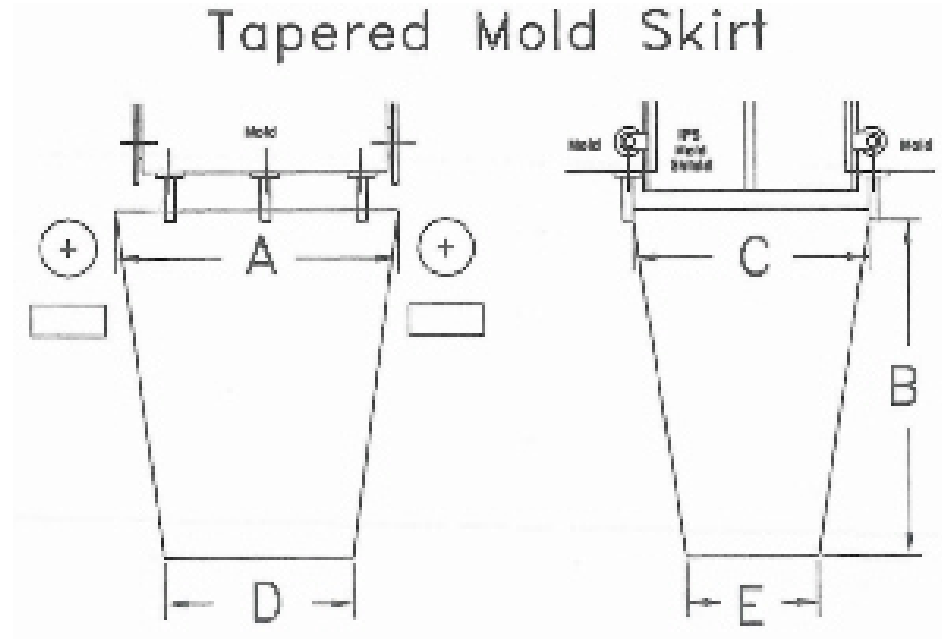
D - \_\_\_\_\_

E - \_\_\_\_\_

Company \_\_\_\_\_

Tel \_\_\_\_\_

Your Name \_\_\_\_\_



A scaled sketch drawn from data provided will be included for approval.

Please fax to 814-217-1364