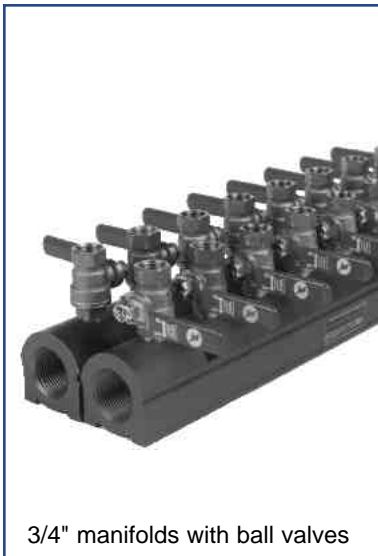


# SMARTFLOW<sup>®</sup> ALUMINUM MANIFOLDS



3/4" manifolds with ball valves



2" manifolds with and without ball valves



1" manifold with flowmeters

## General Description

Smartflow<sup>®</sup> aluminum manifolds are constructed from extruded material, machined, then anodized for corrosion protection. Many manifold sizes are stocked, however custom manifolds can be made to your specifications.

Standard red and blue anodizing denotes supply and return for cooling water lines. Other colors are available. 3/4", 1", and 1-1/2" NPT(F) manifolds are equipped with dovetail locking channels, pre-drilled mounting holes, and screws for ease in pairing and mounting.

## Features and Benefits

- **One-Piece Extruded Aluminum Construction** is lightweight with long-lasting durability.
- **Quality Anodizing** protects the manifolds from corrosion and signifies manifold function.
- **Different Port Size Options** provide connection flexibility.
- **Brass End Plug** is included for customer convenience.
- **Pre-Drilled Mounting Holes** make the manifolds ready to install.
- **Optional Ball Valves and Flowmeters** provide instant flow, pressure, and temperature information, plus shut off individual supply and return lines.
- **Single or Parallel Manifold Configurations** adapt to most mounting situations.
- **Common Manifold Configurations Stocked** to provide quick delivery.

## Each manifold includes:

- NPT female threads both ends
- One threaded brass end plug
- Specified number of NPT ports

## Specifications

- Material
- 3/4", 1", 1 1/2" .....Aluminum (6105-T6)
- 2".....Aluminum (6005-T5)
- Inlet Size .....3/4", 1", 1-1/2" or 2"NPT(F)
- Port Size .....see pages 4-7
- Temperature Rating .....250°F (121°C)
- **Maximum Working Pressure Ratings**
- Gas (air, inert gas).....1,000 psig
- Liquid (hydraulic oil, water, benign fluids) .....3,500 psig

**Optional Ball Valves** .....match port size

### Optional Flowmeters

- (see page 15 for details)
- with temperature gauges
- with pressure and temperature gauges
- flowrate options:
  - 1.5 gallons per minute
  - 2.5 gallons per minute
  - 8.0 gallons per minute
  - 10 liters per minute
  - 30 liters per minute

*Design and specifications are subject to change without notice. See the back page for special manifold pressure rating notes.*















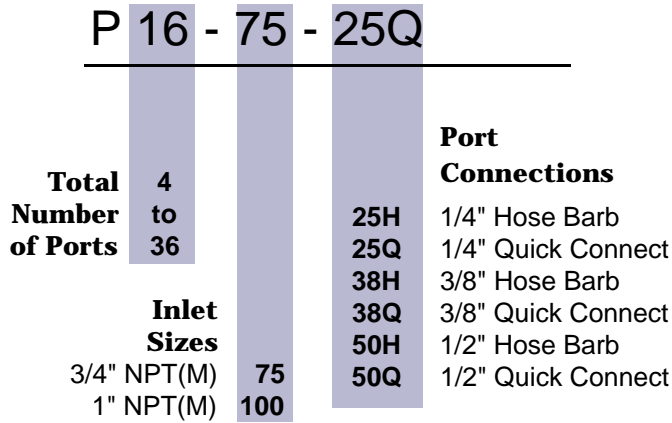








### Model Number

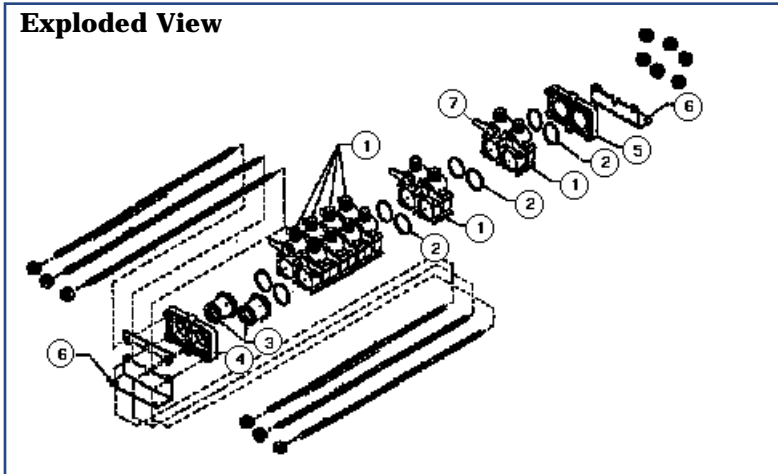


### Stocked Modular Manifolds

Port Qty	length A		length B	
	mm	in.	mm	in.
4	165	6.5	184	7.25
6	210	8.25	229	9.0
8	254	10.0	273	10.75
10	298	11.75	318	12.5
12	343	13.5	362	14.25
16	432	17.0	451	17.75
20	521	20.5	540	21.25
24	610	24.0	629	24.75
28	699	27.5	718	28.25
32	787	31.0	806	31.75
36	876	34.5	895	35.25

Modular manifolds are stocked for same-day shipment.

### Exploded View



### Replacement and Spare Parts

Item	Description	Part Number
1	Port Body	MP-200-001
2	O-Ring	MPO-R50
3	Inlet Coupler	MIC-50
4	End plate	MEP-200
5	Cap Plate	MCP-200
6	Mounting Bracket Set	MMB-10
7	Blue Handle	MHB-50
7	Red Handle	MHR-50

### Brass Inlet Fittings

1"NPT(M) Inlet (1 piece)	MI-100
3/4"NPT(M) Inlet (1 piece)	MI-75

### Female Brass Couplers

1"NPT(F) Inlet (1 piece)	BC-8FX8F
3/4"NPT(F) Inlet (1 piece)	BC-6FX6F

### Brass Port Fittings

1/4" Hose Barb	MANA-2HB
1/4" Quick-Connect Plug	MANA-2Q
3/8" Hose Barb	MANA-3HB
3/8" Quick-Connect Plug	MANA-3Q
1/2" Hose Barb	MANA-4HB
1/2" Quick-Connect Plug	MANA-4Q

